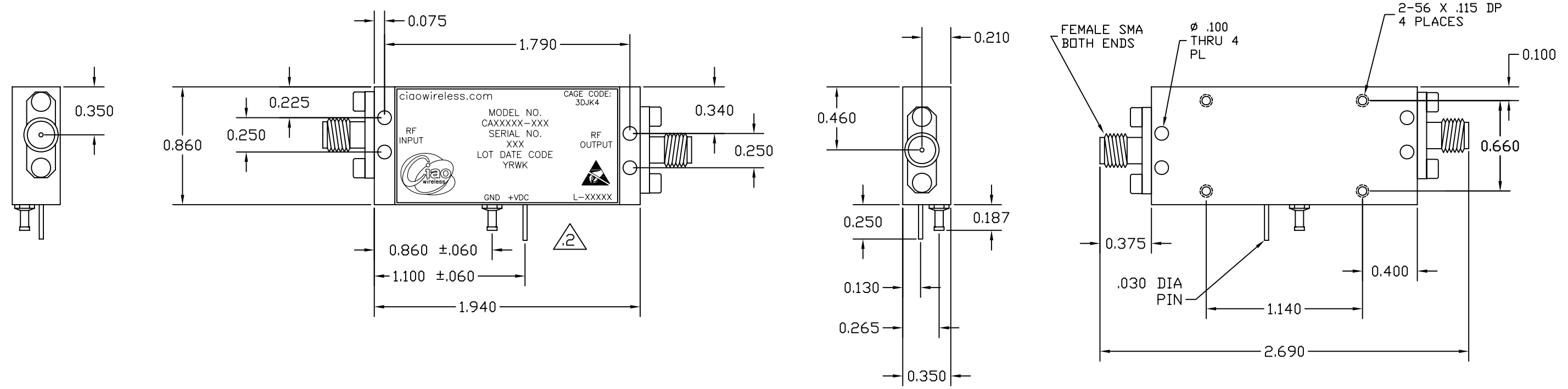


| REVISIONS | | | | | |
|-----------|-----|---|------|---------|----------|
| ZONE | REV | DESCRIPTION | ECO# | DATE | APPROVED |
| | A | RELEASED | | 4/6/04 | J.H |
| | B | ECO #1197 | | 4/21/04 | J.H |
| | C | CHANGED TOLERANCE ON DECIMALS AND HOLES | 2314 | 7/27/10 | J.V |
| | D | ADDED NOTES | 3264 | | |



NOTES:

1. OUTLINE IS AVAILABLE IN "STEP", "IGES", OR "DWG" FORMATS UPON REQUEST.

GROUND AND VDC PINS ARE LOCATED APPROXIMATELY WHERE SHOWN AND ARE SUBJECT TO CHANGE WITHOUT NOTICE DUE TO PRODUCT ENHANCEMENT. WHEREVER POSSIBLE CIAO WILL PROVIDE NOTICE OF CHANGES TO CUSTOMER

| ITEM NO. | QTY REQD | PART OR IDENTIFYING NO. | NOMENCLATURE OR DESCRIPTION | MATERIAL SPECIFICATION |
|---|----------|----------------------------|-----------------------------|------------------------------------|
| PARTS LIST | | | | |
| UNLESS OTHERWISE SPECIFIED: DIMENSIONS ARE IN INCHES. TOLERANCES ARE: | | CONTRACT NO. | | |
| FRACTIONS DECIMALS HOLES ANGLES | | APPROVALS DATE | | |
| ± 1/64 .XX ±.03 .XX ±.03 ± 0°30' | | DRAWN J. LACBAIN 3/15/04 | | |
| MACHINED FINISH: 32 RMS | | CHECKED W. QUINONES 4/5/04 | | |
| REMOVE BURRS .005 MAX | | MECHANICAL ENGR | | |
| MATERIAL | | ELECTRICAL ENGR | | |
| ALUMINUM 6061-T6 | | PRODUCT ASSURANCE | | |
| FINISH ELECTROLESS NICKEL PER MIL-C-26074 CLASS 4 GRADE B .0005 ± .0001 MAX | | G. TUFTS 4/6/04 | | |
| NEXT ASSY | | USED ON | | PLANNING J. HARRISON 4/6/04 |
| APPLICATION | | DO NOT SCALE DRAWING | | MANUFACTURING G. WASYLEWSKI 4/6/04 |
| | | SIZE | CAGE CODE | DWG. NO. |
| | | B | 3DJK4 | 30024 |
| | | SCALE | SHEET 1 OF 1 | |
| | | 1/1 | | |

CIAO WIRELESS
4000 VIA PESCADOR
CAMARILLO CA, 93012

XK3 ICD AMPLIFIER

SIZE B CAGE CODE 3DJK4 DWG. NO. 30024 REV. D

30024

DWG NO. 30024 REV. A, Y/P