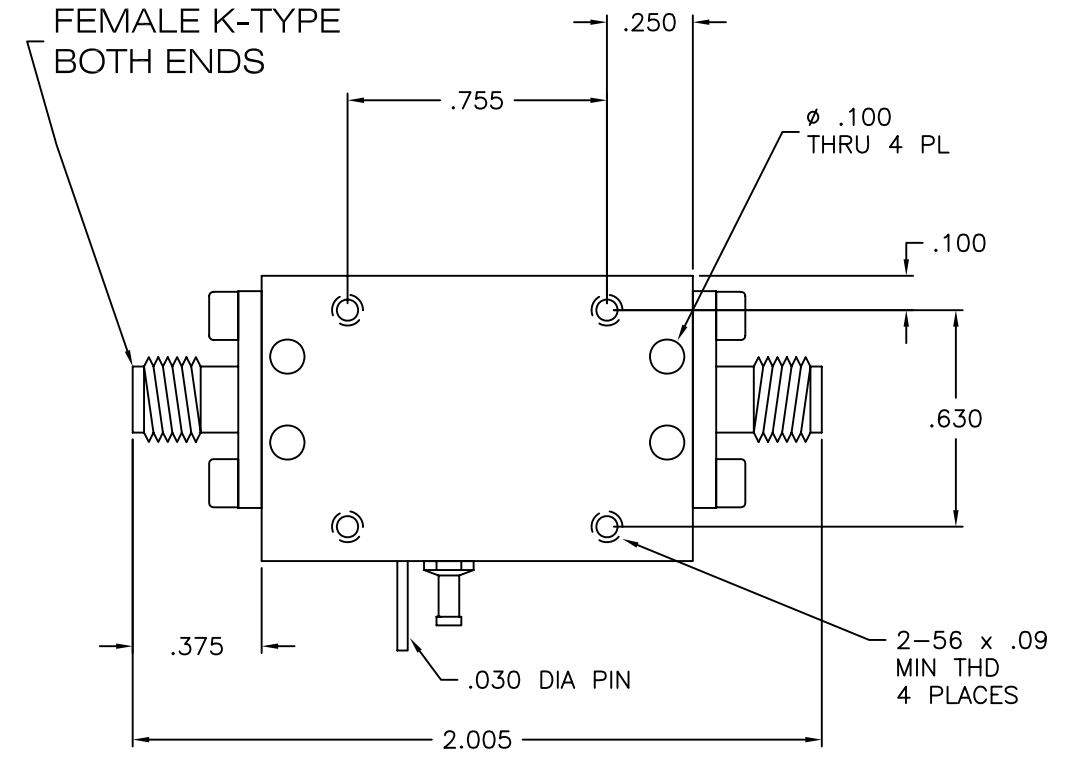
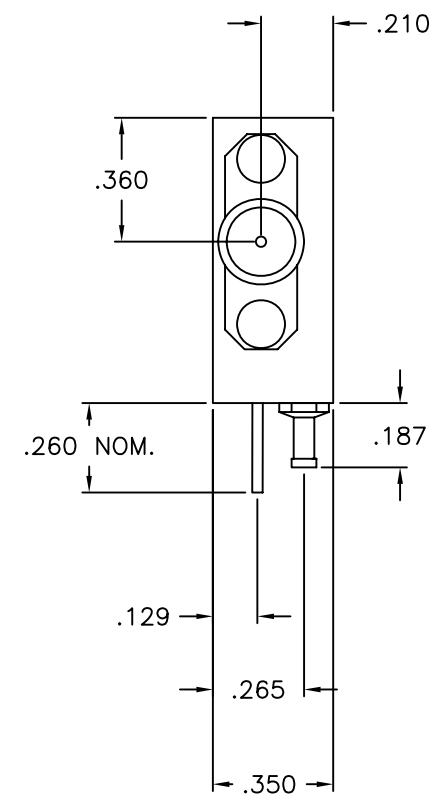
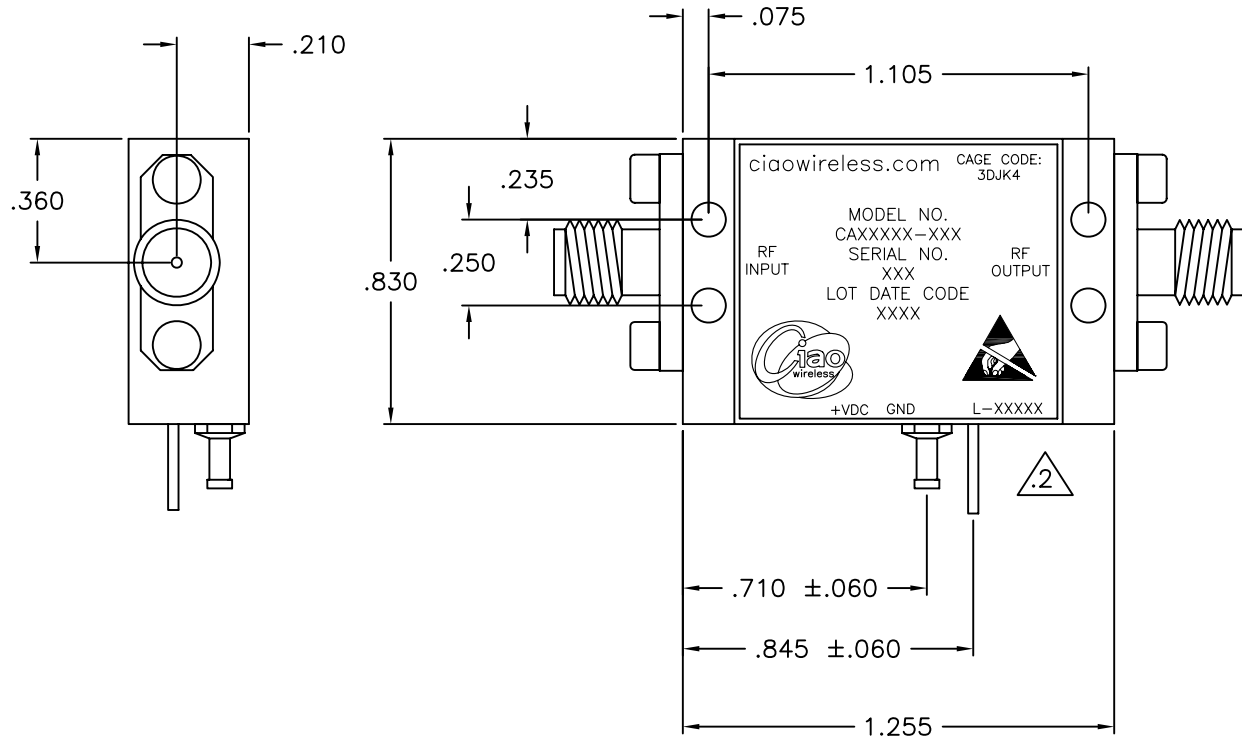


**** PROPRIETARY DATA ****
 THIS DOCUMENT CONTAINS DATA WHICH IS PROPRIETARY OR CONFIDENTIAL TO CIAO WIRELESS. THIS DOCUMENT AND THE DATA CONTAINED HEREIN SHALL NOT BE USED, DUPLICATED, OR ALTERED WITHOUT THE EXPRESSED WRITTEN CONSENT OF CIAO WIRELESS. ALL RIGHTS ARE RESERVED.

REVISIONS					
ZONE	REV	DESCRIPTION	ECO#	DATE	APPROVED
	A	RELEASED			



- NOTES:
1. OUTLINE IS AVAILABLE IN "STEP", "IGES", OR "DWG" FORMATS UPON REQUEST.
 2. GROUND AND VDC PINS ARE LOCATED APPROXIMATELY WHERE SHOWN AND ARE SUBJECT TO CHANGE WITHOUT NOTICE DUE TO PRODUCT ENHANCEMENT. WHEREVER POSSIBLE CIAO WILL PROVIDE NOTICE OF CHANGES TO CUSTOMER

NEXT ASSY	USED ON
APPLICATION	

UNLESS OTHERWISE SPECIFIED: DIMENSIONS ARE IN INCHES. TOLERANCES ARE: FRACTIONS DECIMALS HOLES ANGLES $\pm 1/64$.XX ± 0.03 .XX ± 0.03 $\pm 0'30$.XXX ± 0.010 .XXX ± 0.010 MACHINED FINISH: 32 RMS REMOVE BURRS .005 MAX		CONTRACT NO.	
MATERIAL ALUMINUM 6061-T6		APPROVALS DATE	
FINISH ELECTROLESS NICKEL PER MIL-C-26074 CLASS 4 GRADE B .0005 \pm .0001 MAX		DRAWN: M. BECKNER 7/24/12	
NEXT ASSY USED ON		ENGINEERING:	
APPLICATION DO NOT SCALE DRAWING		QUALITY ASSURANCE:	
		MANUFACTURING:	
		SIZE B	CAGE CODE 3DJK4
		DWG. NO. 30215-K	REV. A
		SCALE 1/1	
		SHEET 1 OF 1	



Q3S-K ICD AMPLIFIER

DWG NO. 30215-K REV A

DWG NO. 30215-K REV A 7/12