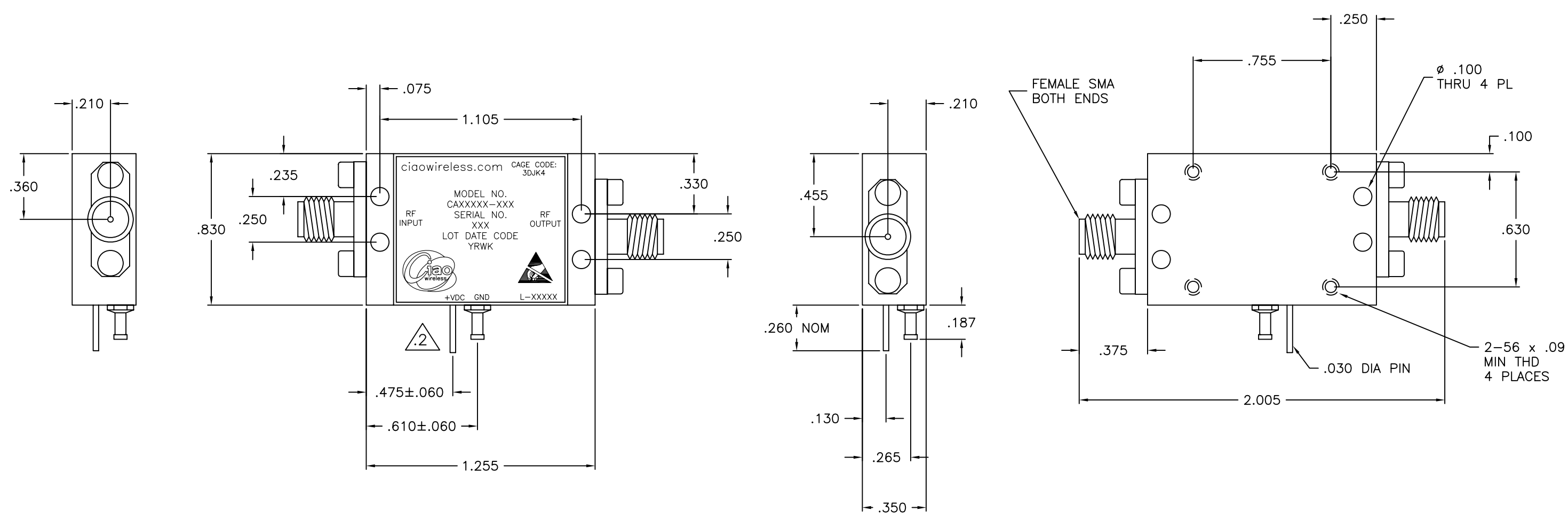


REVISIONS					
ZONE	REV	DESCRIPTION	ECO#	DATE	APPROVED
	A	RELEASED		4/16/04	J.H
	B	SEE ECO 1213		6/23/04	J.H
	C	NOTES PER PIN LOCATIONS	3264	6/23/04	J.H



- NOTES:
1. OUTLINE IS AVAILABLE IN "STEP", "IGES", OR "DWG" FORMATS UPON REQUEST.
 2. GROUND AND VDC PINS ARE LOCATED APPROXIMATELY WHERE SHOWN AND ARE SUBJECT TO CHANGE WITHOUT NOTICE DUE TO PRODUCT ENHANCEMENT. WHEREVER POSSIBLE CIAO WILL PROVIDE NOTICE OF CHANGES TO CUSTOMER

ITEM NO.	QTY REQD	PART OR IDENTIFYING NO.	NOMENCLATURE OR DESCRIPTION	MATERIAL SPECIFICATION
PARTS LIST				
UNLESS OTHERWISE SPECIFIED: DIMENSIONS ARE IN INCHES. TOLERANCES ARE: FRACTIONS DECIMALS HOLES ANGLES ± 1/64 .XX ±.03 .XX ±.03 ± 0°30'			CONTRACT NO.	
MACHINED FINISH: 32 RMS REMOVE BURRS .005 MAX			APPROVALS DATE	
MATERIAL ALUMINUM 6061-T6			DRAWN J. LACBAIN 4/8/04	
FINISH ELECTROLESS NICKEL PER MIL-C-26074 CLASS 4 GRADE B .0005 ± .0001 MAX			CHECKED W. QUINONES 4/9/04	
NEXT ASSY USED ON			MECHANICAL ENGR	
APPLICATION DO NOT SCALE DRAWING			ELECTRICAL ENGR	
			PRODUCT ASSURANCE G. TUFTS 4/9/04	
			PLANNING J. HARRISON 4/14/04	
			MANUFACTURING G. WASYLEWSKI 4/16/04	
			SIZE B	CAGE CODE 3DJK4
			DWG. NO. 30041	
			REV. C	
			SCALE 1/1	SHEET 1 OF 1



Q3 ICD AMPLIFIER

30041

DWG NO. 30041-001-1, REV. A, 7/07