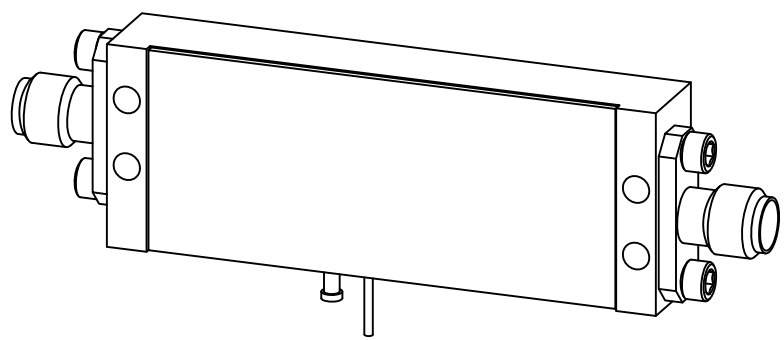
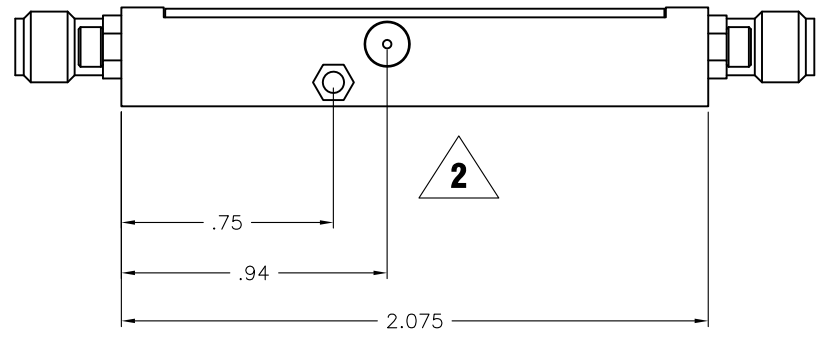
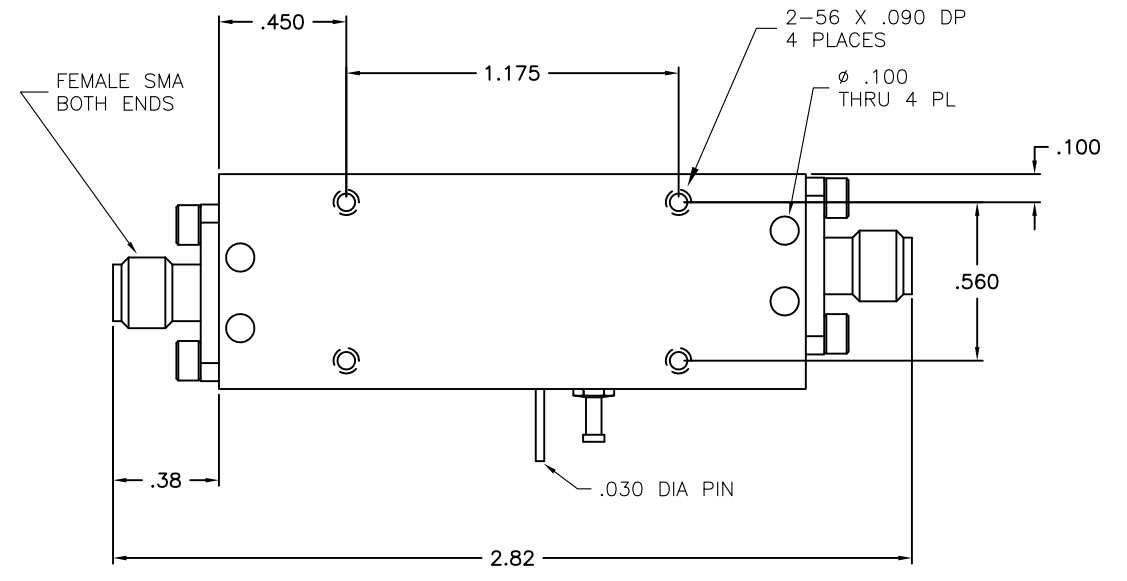
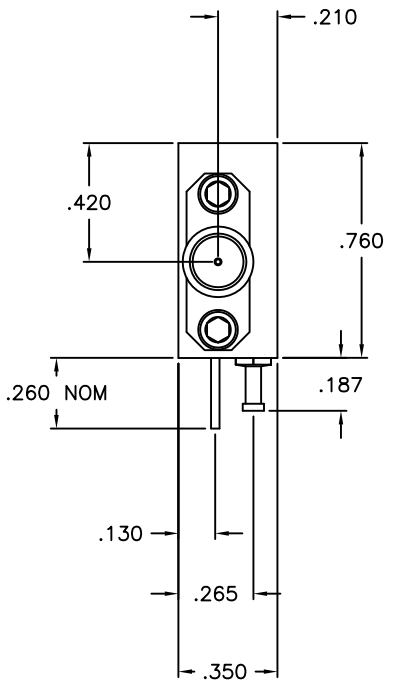
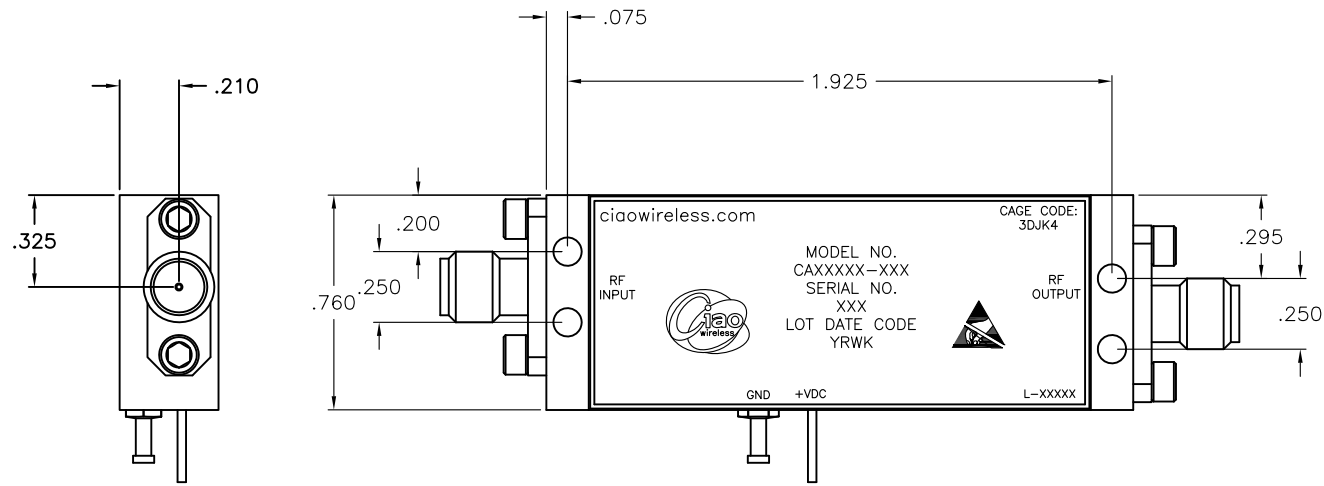


**\*\* PROPRIETARY DATA \*\***  
 THIS DOCUMENT CONTAINS DATA WHICH IS PROPRIETARY OR CONFIDENTIAL TO CIAO WIRELESS. THIS DOCUMENT AND THE DATA CONTAINED HEREIN SHALL NOT BE USED, DUPLICATED, OR ALTERED WITHOUT THE EXPRESSED WRITTEN CONSENT OF CIAO WIRELESS. ALL RIGHTS ARE RESERVED.

REVISIONS					
ZONE	REV	DESCRIPTION	ECO#	DATE	APPROVED
	A	RELEASED			



**NOTES:**

- 1. OUTLINE IS AVAILABLE IN "STEP", "IGES", OR "DWG" FORMATS UPON REQUEST.**
- 2. GROUND AND VDC PINS ARE LOCATED APPROXIMATELY WHERE SHOWN AND ARE SUBJECT TO CHANGE WITHOUT NOTICE DUE TO PRODUCT ENHANCEMENT. WHEREVER POSSIBLE CIAO WILL PROVIDE NOTICE OF CHANGES TO CUSTOMER**

NEXT ASSY	USED ON
APPLICATION	

UNLESS OTHERWISE SPECIFIED: DIMENSIONS ARE IN INCHES. TOLERANCES ARE: FRACTIONS DECIMALS HOLES ANGLES $\pm 1/64$ .XX $\pm 0.03$ .XX $\pm 0.03$ $\pm 0^{\circ}30'$ .XXX $\pm 0.010$ .XXX $\pm 0.010$ MACHINED FINISH: 32 RMS REMOVE BURRS .005 MAX		CONTRACT NO.
MATERIAL ALUMINUM 6061-T6		APPROVALS DATE
FINISH ELECTROLESS NICKEL PER MIL-C-26074 CLASS 4 GRADE B .0005 $\pm$ .0001 MAX		DRAWN: S. BROWN 02/01/13
		ENGINEERING:
		QUALITY ASSURANCE:
		MANUFACTURING:

**CIAO WIRELESS**  
 4000 VIA PESCADOR  
 CAMARILLO CA, 93012

K5 ICD AMP			
SIZE	CAGE CODE	DWG. NO.	REV.
B	3DJK4	30543	A
SCALE 1/1		SHEET 1 OF 1	

30543 REV A

30543-001-1, REV A, 7/7