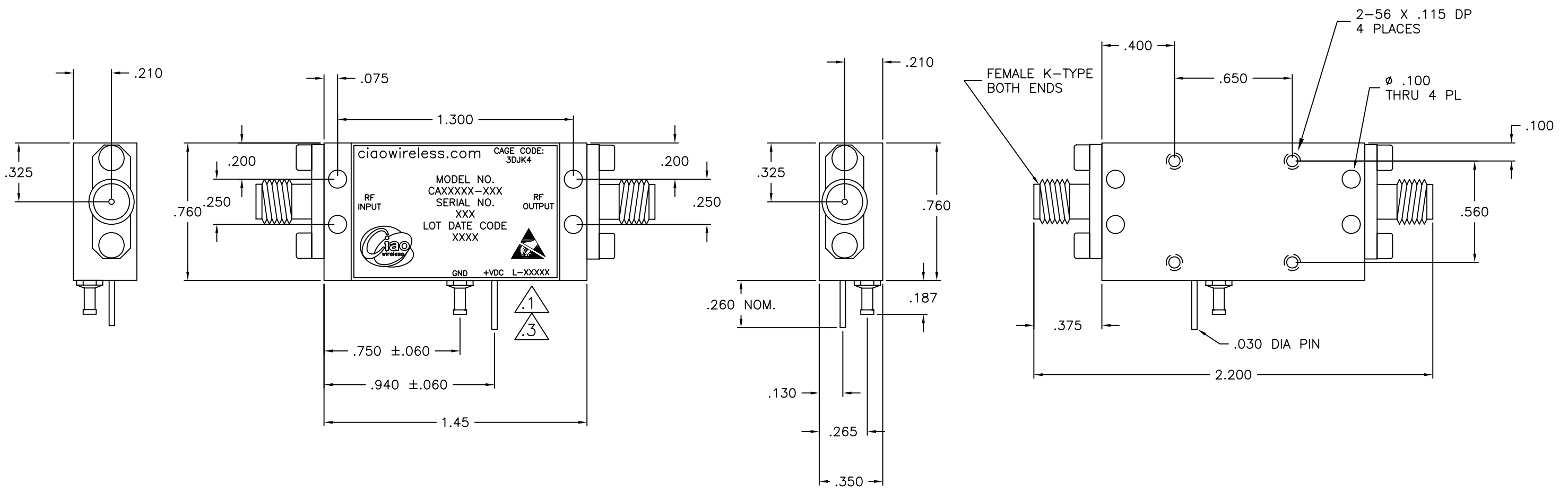


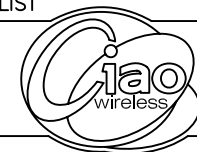
REVISIONS					
ZONE	REV	DESCRIPTION	ECO#	DATE	APPROVED
	A	RELEASED		5/12/09	JH
	B	ADDED NOTES PER PIN LOCATIONS	3264		



NOTES:

1. GROUND LUG LOCATION SLIGHTLY RELOCATED ON REV C DUE TO PRODUCT ENHANCEMENT. IF PREVIOUS GROUND LUG LOCATION IS REQUIRED, CONTACT THE FACTORY IMMEDIATELY AS CIAO CAN ACCOMMODATE YOUR REQUEST.
2. OUTLINE IS AVAILABLE IN "STEP", "IGES", OR "DWG" FORMATS UPON REQUEST.
3. GROUND AND VDC PINS ARE LOCATED APPROXIMATELY WHERE SHOWN AND ARE SUBJECT TO CHANGE WITHOUT NOTICE DUE TO PRODUCT ENHANCEMENT. WHEREVER POSSIBLE CIAO WILL PROVIDE NOTICE OF CHANGES TO CUSTOMER

ITEM NO.	QTY REQD	PART OR IDENTIFYING NO.	NOMENCLATURE OR DESCRIPTION	MATERIAL SPECIFICATION
PARTS LIST				
UNLESS OTHERWISE SPECIFIED: DIMENSIONS ARE IN INCHES. TOLERANCES ARE:		CONTRACT NO.		
FRACTIONS DECIMALS HOLES ANGLES		APPROVALS DATE		
± 1/64 .XX ±.03 .XX ±.03 ± 0°30'		DRAWN S. BROWN 5/12/09		
MACHINED FINISH: 32 RMS		CHECKED M. JUAREZ 5/12/09		
REMOVE BURRS .005 MAX		MECHANICAL ENGR		
MATERIAL		ELECTRICAL ENGR		
ALUMINUM 6061-T6		PRODUCT ASSURANCE M. CHAO 5/12/09		
FINISH ELECTROLESS NICKEL PER MIL-C-26074 CLASS 4 GRADE B .0005 ± .0001 MAX		PLANNING J. HARRISON 5/12/09		
NEXT ASSY		MANUFACTURING V. BUHAIN 5/12/09		
USED ON		SCALE 1/1		
APPLICATION DO NOT SCALE DRAWING		SHEET 1 OF 1		



CIAO WIRELESS
4000 VIA PESCADOR
CAMARILLO CA, 93012

K3S ICD AMPLIFIER

SIZE CAGE CODE DWG. NO. REV.
B 3DJK4 30115-K B

30115-K

30115-K REV. A, V/P