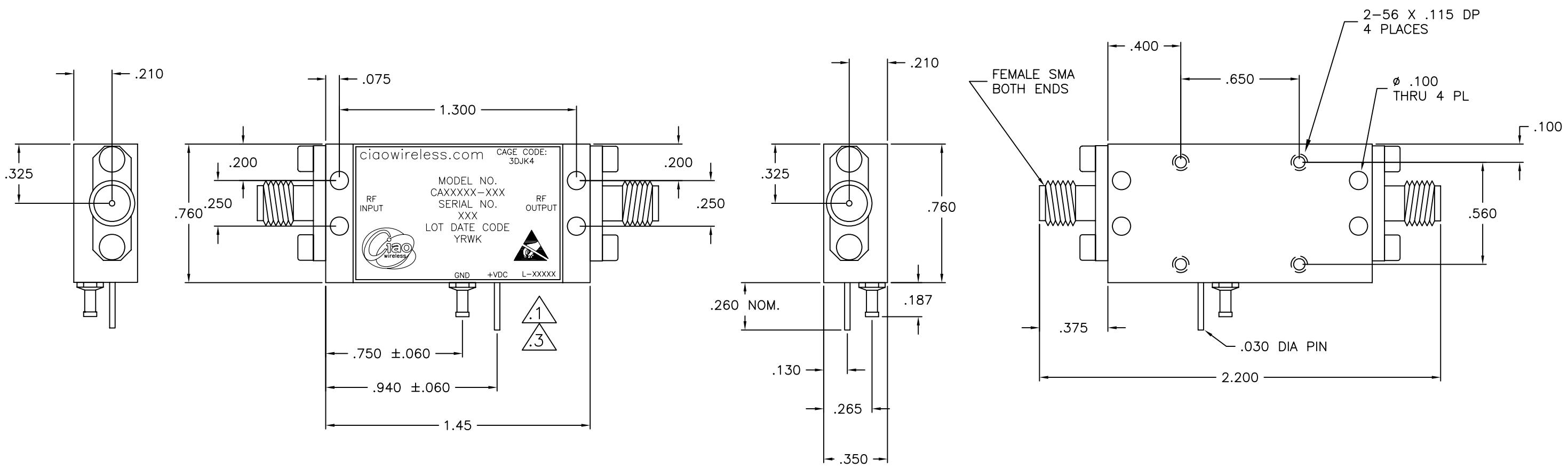



REVISIONS					
ZONE	REV	DESCRIPTION	ECO#	DATE	APPROVED
	A	RELEASED		8/12/05	D.F
	B	SEE ECO 1646		9/4/07	M. C.
	C	ADDED NOTES PER PIN LOCATIONS	3264	6/29/12	J. H.



NOTES:

- GROUND LUG LOCATION SLIGHTLY RELOCATED ON REV C DUE TO PRODUCT ENHANCEMENT. IF PREVIOUS GROUND LUG LOCATION IS REQUIRED, CONTACT THE FACTORY IMMEDIATELY AS CIAO CAN ACCOMMODATE YOUR REQUEST.
- OUTLINE IS AVAILABLE IN "STEP", "IGES", OR "DWG" FORMATS UPON REQUEST.
- GROUND AND VDC PINS ARE LOCATED APPROXIMATELY WHERE SHOWN AND ARE SUBJECT TO CHANGE WITHOUT NOTICE DUE TO PRODUCT ENHANCEMENT. WHEREVER POSSIBLE CIAO WILL PROVIDE NOTICE OF CHANGES TO CUSTOMER

ITEM NO.	QTY REQD	PART OR IDENTIFYING NO.	NOMENCLATURE OR DESCRIPTION	MATERIAL SPECIFICATION
PARTS LIST				
UNLESS OTHERWISE SPECIFIED: DIMENSIONS ARE IN INCHES. TOLERANCES ARE:		CONTRACT NO.		
FRACTIONS	DECIMALS	HOLES	ANGLES	APPROVALS
± 1/64	.XX ±.03	.XX ±.03	± 0°30'	DATE
MACHINED FINISH: 32 RMS		DRAWN S. BROWN 8/12/05		
REMOVE BURRS .005 MAX		CHECKED M. JUAREZ 8/12/05		
MATERIAL		MECHANICAL ENGR		
ALUMINUM 6061-T6		ELECTRICAL ENGR		
FINISH		PRODUCT ASSURANCE L. HOWELL 8/12/05		
ELECTROLESS NICKEL PER MIL-C-26074 CLASS 4 GRADE B .0005 ± .0001 MAX		PLANNING J. HARRISON 8/12/05		
NEXT ASSY	USED ON	MANUFACTURING G. WASYLESKI 12/16/11		
APPLICATION		DO NOT SCALE DRAWING		



CIAO WIRELESS
4000 VIA PESCADOR
CAMARILLO CA, 93012

K3S ICD AMPLIFIER

SIZE: B CAGE CODE: 3DJK4 DWG. NO.: 30115 REV. C

SCALE: 1/1 SHEET: 1 OF 1

30115 REV. C