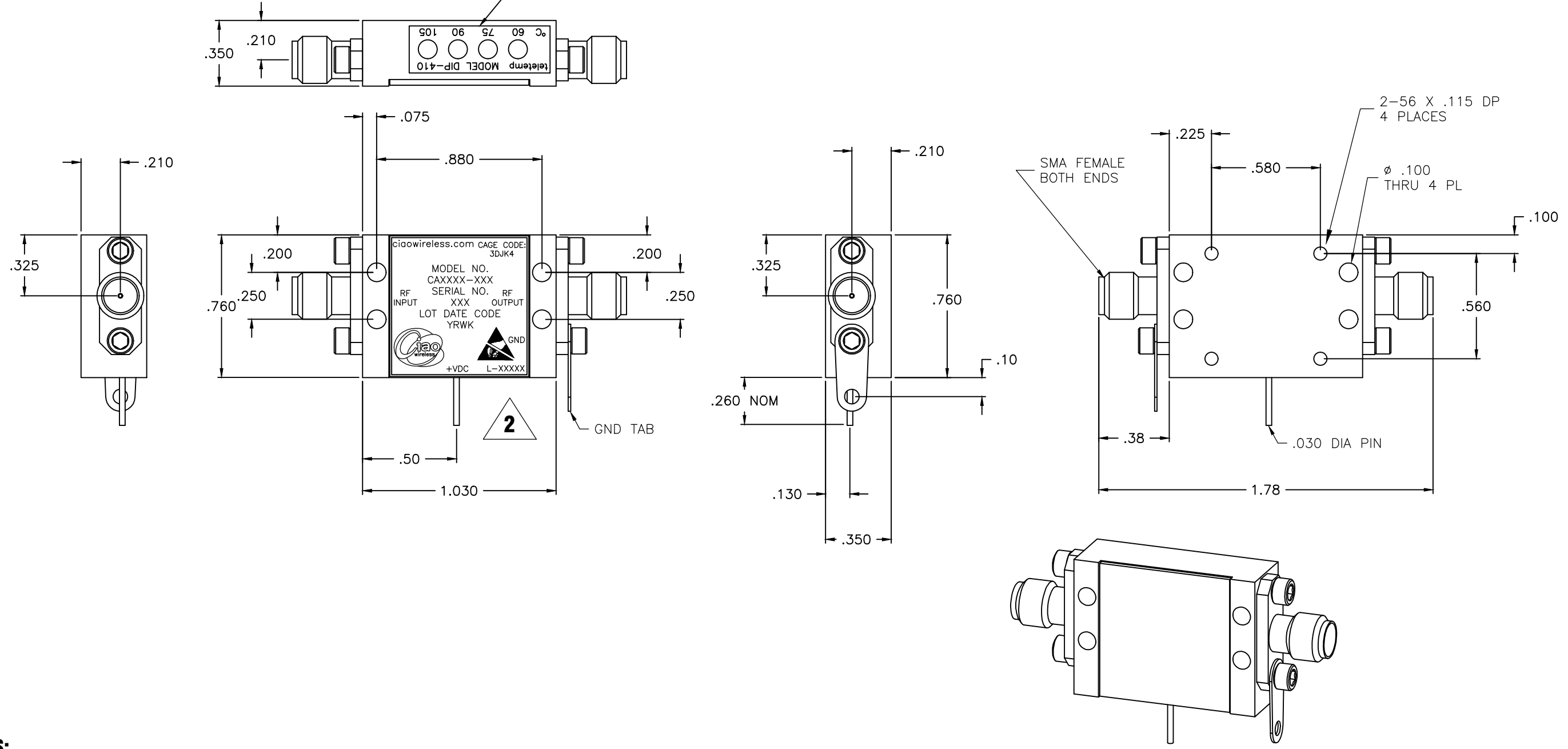


**** PROPRIETARY DATA ****
 THIS DOCUMENT CONTAINS DATA WHICH IS PROPRIETARY OR CONFIDENTIAL TO CIAO WIRELESS. THIS DOCUMENT AND THE DATA CONTAINED HEREIN SHALL NOT BE USED, DUPLICATED, OR ALTERED WITHOUT THE EXPRESSED WRITTEN CONSENT OF CIAO WIRELESS. ALL RIGHTS ARE RESERVED.

REVISIONS					
ZONE	REV	DESCRIPTION	ECO#	DATE	APPROVED
	A	RELEASED		06/12/13	R. L.
	B	ADDED TELETEMP LABEL DRAWING	3808	12/20/13	JH

TELETEMP LABEL
 PN: DIP-410




NOTES:

1. OUTLINE IS AVAILABLE IN "STEP", "IGES", OR "DWG" FORMATS UPON REQUEST.

2. GROUND AND VDC PINS ARE LOCATED APPROXIMATELY WHERE SHOWN AND ARE SUBJECT TO CHANGE WITHOUT NOTICE DUE TO PRODUCT ENHANCEMENT. WHEREVER POSSIBLE CIAO WILL PROVIDE NOTICE OF CHANGES TO CUSTOMER

NEXT ASSY	USED ON
APPLICATION	

UNLESS OTHERWISE SPECIFIED: DIMENSIONS ARE IN INCHES. TOLERANCES ARE: FRACTIONS DECIMALS HOLES ANGLES $\pm 1/64$.XX ± 0.03 .XX ± 0.03 $\pm 0^{\circ}30'$.XXX ± 0.010 .XXX ± 0.010 MACHINED FINISH: 32 RMS REMOVE BURRS .005 MAX		CONTRACT NO.		 CIAO WIRELESS 4000 VIA PESCADOR CAMARILLO CA, 93012	
MATERIAL ALUMINUM 6061-T6		APPROVALS			
FINISH ELECTROLESS NICKEL PER MIL-C-26074 CLASS 4 GRADE B .0005 \pm .0001 MAX		DRAWN: S. BROWN		06/12/13	
		ENGINEERING: M. JUAREZ		06/12/13	
		QUALITY ASSURANCE: R. LEABRES		06/12/13	
		MANUFACTURING: M. CHAO		06/12/13	
DO NOT SCALE DRAWING		SIZE	CAGE CODE	DWG. NO.	REV.
		B	3DJJK4	30555	B
		SCALE	1/1		SHEET 1 OF 1

DWG NO. 30555

DC-PDR-0018-1 REV. A 1/17