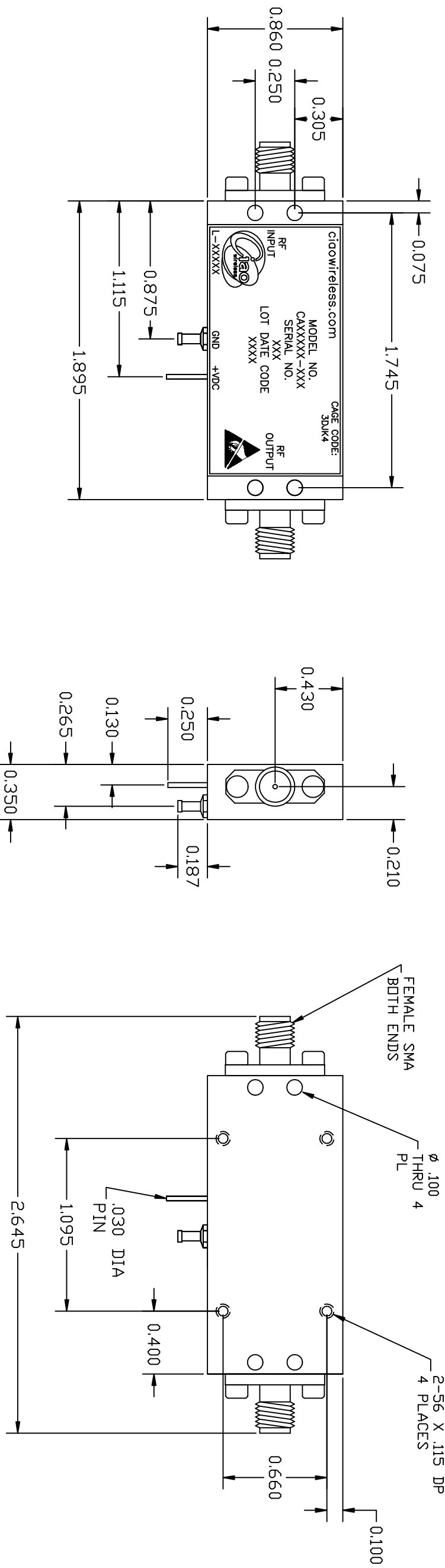


REVISIONS		ECO#	DATE	APPROVED
ZONE REV	DESCRIPTION			
A	RELEASED			



ITEM NO.	QTY	PART OR IDENTIFYING NO.	CONTRACT NO.	APPROVALS	DATE
					6/3/11
<p>UNLESS OTHERWISE SPECIFIED: DIMENSIONS ARE IN INCHES. TOLERANCES ARE: FRACTIONS DECIMALS HOLES ANGLES ± 1/64 .XX ±.01 .XX ±.01 ± 0°30' .XXX ±.010 .XXX ±.010 MACHINED FINISH: 32 RMS REMOVE BURRS: .005 MAX MATERIAL ALUMINUM 6061-T6</p>					
<p>FINISH ELECTROLESS NICKEL PER MIL-C-26074 CLASS 4 GRADE B .0005 ± .0001 MAX</p>					
<p>DO NOT SCALE DRAWING</p>					
<p>APPLICATION USED ON</p>					

ITEM NO.	QTY	PART OR IDENTIFYING NO.	NOMENCLATURE OR DESCRIPTION	MATERIAL SPECIFICATION
<p>PARTS LIST</p>				
<p>FB3 ICD AMPLIFIER</p>				
<p>CIAO WIRELESS 4000 VIA PESCADOR CAMARILLO CA, 93012</p>				
<p>SIZE CAGE CODE DWG. NO. REV. B 3DJK4 30425 A</p>				
<p>SCALE 1/1 SHEET 1 OF 1</p>				