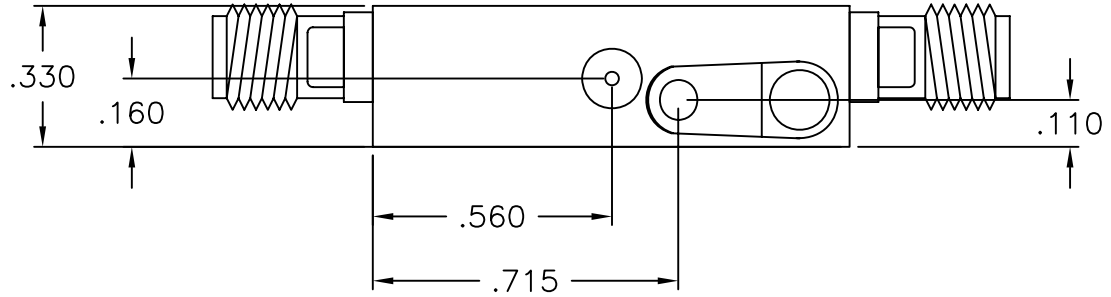
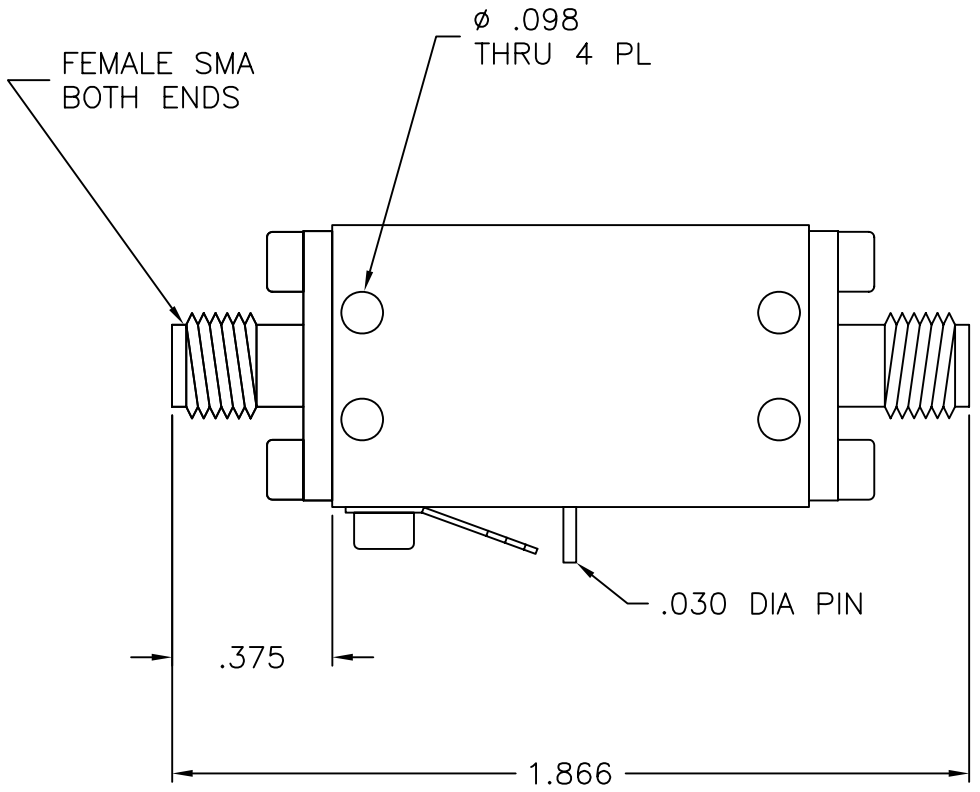
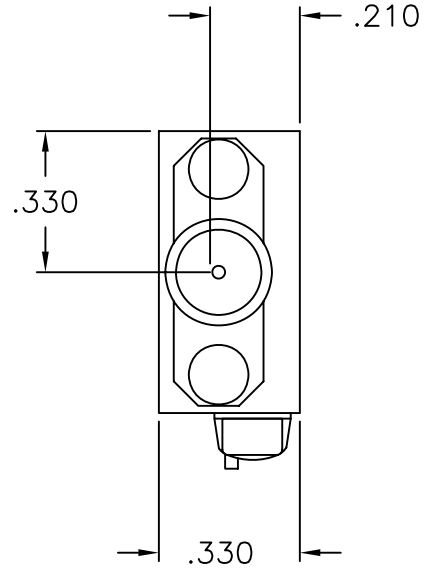
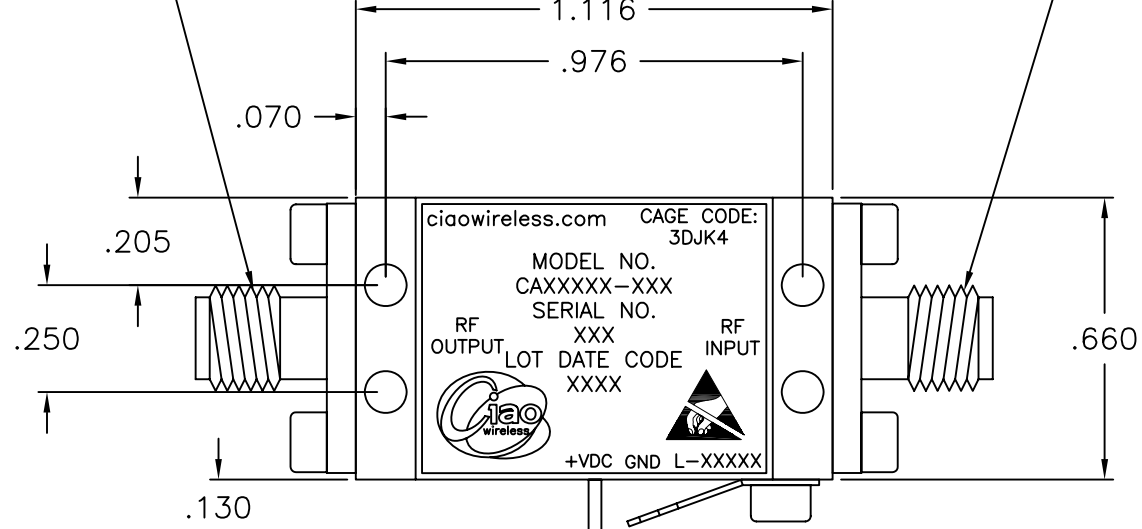


REVISIONS					
ZONE	REV	DESCRIPTION	ECO#	DATE	APPROVED
	A	RELEASED		8/2/07	M.C
	B	SEE ECO 1700			

RF OUTPUT **RF INPUT**



ITEM NO.	QTY REQD	PART OR IDENTIFYING NO.	NOMENCLATURE OR DESCRIPTION	MATERIAL SPECIFICATION
PARTS LIST				
UNLESS OTHERWISE SPECIFIED: DIMENSIONS ARE IN INCHES. TOLERANCES ARE:		CONTRACT NO.		
FRACTIONS DECIMALS HOLES ANGLES		APPROVALS DATE		
± 1/64 .XX ±.03 .XX ±.03 ± 0°30'		DRAWN S. BROWN 1/31/07		
MACHINED FINISH: 32 RMS		CHECKED C. ALVARA 8/2/07		
REMOVE BURRS .005 MAX		MECHANICAL ENGR		
MATERIAL		ELECTRICAL ENGR		
ALUMINUM 6061-T6		PRODUCT ASSURANCE		
FINISH ELECTROLESS NICKEL		M. CHAO 8/2/07		
PER MIL-C-26074		PLANNING		
CLASS 4 GRADE B		J. HARRISON 8/2/07		
.0005 ± .0001 MAX		MANUFACTURING		
NEXT ASSY		USED ON		SCALE 1/1
APPLICATION		DO NOT SCALE DRAWING		SHEET 1 OF 1

CIAO WIRELESS
 4000 VIA PESCADOR
 CAMARILLO CA, 93012

ALC/K2 ICD AMPLIFIER

SIZE CAGE CODE DWG. NO. REV.
 B 3DJK4 30220 B

30220 DWG NO. 30220